

NK

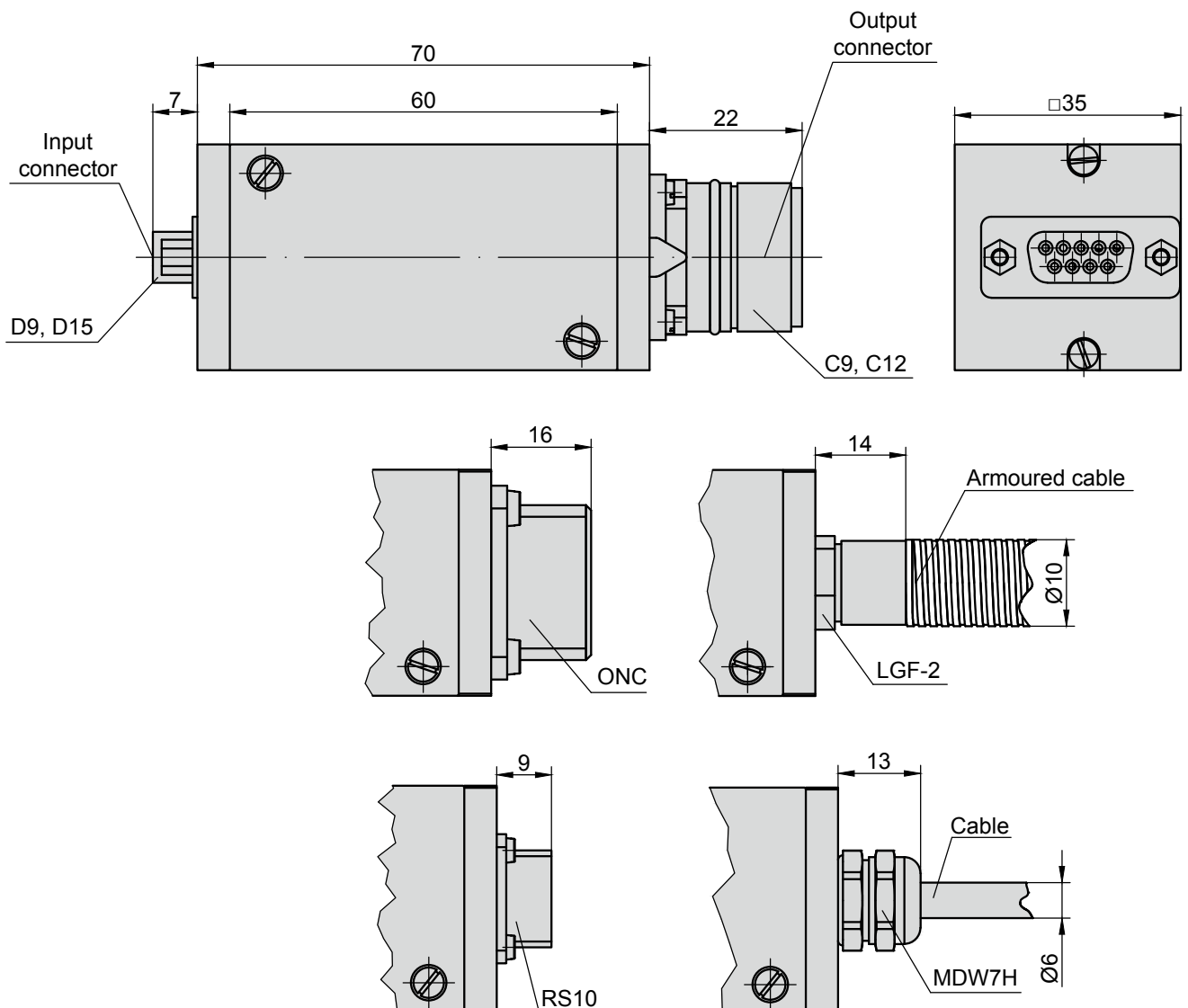
EXTERNAL INTERPOLATOR



The Interpolation and Digitizing electronics interpolates up to 10-fold and convert the sinusoidal scanning signals from photoelectric encoders to square-wave pulses with TTL levels.

Possible interpolation factor: 1, 2, 3, 4, 5, 8, 10.

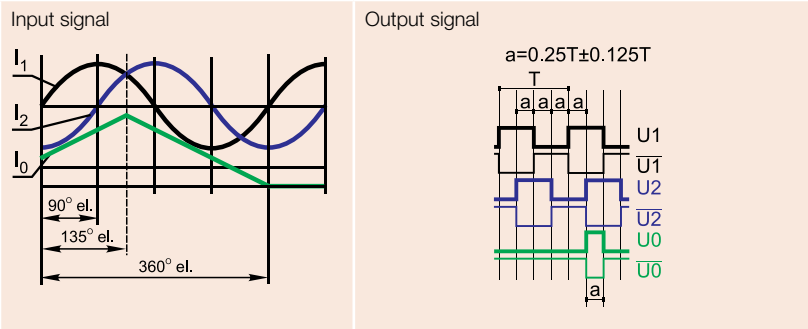
Under the cover the unit has commutation switch that allows to Customer to change interpolation factor (see table below)..



MECHANICAL DATA

Input signals: -Incremental signals -Reference signal	7-16 mA 2-8 mA
Output signals	TTL(RS422) compatible
Operating voltage	5 V
Max input frequency	50 kHz
Possible input connector / cable	C9, D9, D15, ONC, RS10 / cable, armoured cable
Possible output connector / cable	C12, D9, D15, ONC, RS10 / cable, armoured cable
Signal interpolation: - NK-1 - NK-2 - NK-3 - NK-4 - NK-5 - NK-8 - NK-10	1 - fold 2 - fold 3 - fold 4 - fold 5 - fold 8 - fold 10 - fold

Encoder compatibility
A28, A36, A42M, A75M, A58M, A58B, A58C, A58C2, A58C3, A58D, A58H, A58H1, A58HE, A58HM, A90H, A110, A170, A170H, AM36, AM58M, AM58B, AM58C, AM58C2, AM58C3, AM58D, L18, L18B, L18C, L18T, L23, L35, L35T, L37, L50, MT, CMT, PCMT



The positions of switches depending on interpolation factor and linear/rotary encoder reference mark width

Reference mark width T/4

Switches position						Interpolation factor
1	2	3	4	5	6	
□	□	□	□	□	□	1
□	□	□	□	□	□	2
□	□	□	□	□	□	3
□	□	□	□	□	□	4
□	□	□	□	□	□	5
□	□	□	□	□	□	8
□	□	□	□	□	□	10

Reference mark width T/2

Switches position						Interpolation factor
1	2	3	4	5	6	
□	□	□	□	□	□	1
□	□	□	□	□	□	2
□	□	□	□	□	□	3
□	□	□	□	□	□	4
□	□	□	□	□	□	5
□	□	□	□	□	□	8
□	□	□	□	□	□	10

ACCESSORIES

CONNECTORS FOR CABLE	B12 12-pin round connector	C9 9-pin round connector	C12 12-pin round connector	D9 9-pin flat connector	D15 15-pin flat connector	RS10 10-pin round connector	ONC 10-pin round connector
CONNECTORS ON HOUSING	C9 9-pin round connector	C12 12-pin round connector	D9 9-pin flat connector	D15 15-pin flat connector	RS10 10-pin round connector	ONC 10-pin round connector	
CABLE	Cable ø6 mm			Armoured cable ø6 mm			
DIGITAL READOUT DEVICES	CS3000			CS5000			

ORDER FORM

NK	-	XX	-	XXXX	-	XXXX/XXXX	-	XXXX	-	XXXX/XXXX
INTERPOLATION FACTOR:	INPUT CONNECTOR (FEMALE) OR CABLE TYPE:	INPUT CABLE LENGTH (IF C OR CP SELECTED):	CONNECTOR ON INPUT CABLE END:	OUTPUT CONNECTOR (MALE) OR CABLE TYPE:	OUTPUT CABLE LENGTH (IF C OR CP SELECTED):	CONNECTOR ON OUTPUT CABLE END:				
1 2 3 4 5 8 10	D9 - flat, 9 pins D15 - flat, 15 pins, 3 rows C9 - round, 9 pins RS 10 - round, 10 pins ONC - round, 10 pins C - cable Ø6mm CP - armoured cable Ø10mm	W - without cable 01 - 1 m 02 - 2 m 03 - 3 m ...	W - without connector D9 - flat, 9 pins D15 - flat, 15 pins, 3 rows RS 10 - round, 10 pins ONC - round, 10 pins	D9 - flat, 9 pins D15 - flat, 15 pins, 3 rows C12 - round, 12 pins RS 10 - round, 10 pins ONC - round, 10 pins C - cable Ø6mm CP - armoured cable Ø10mm	W - without cable 01 - 1 m 02 - 2 m 03 - 3 m ...	W - without connector B12 - round, 12 pins C9 - round, 9 pins C12 - round, 12 pins D9 - flat, 9 pins D15 - flat, 15 pins RS10 - round, 10 pins ONC - round, 10 pins				
ORDER EXAMPLES:	1) NK-5-C-01/D15-C-02-C12 2) NK-10-D9-W-W-D15-W-W									